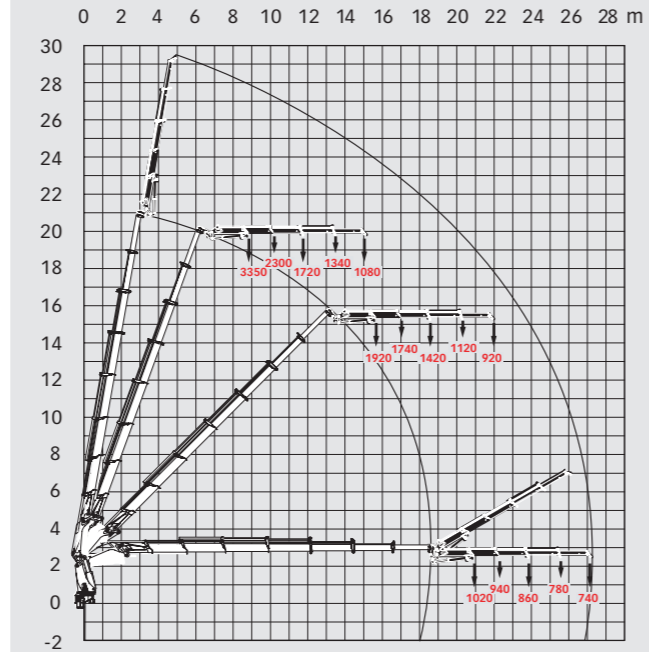
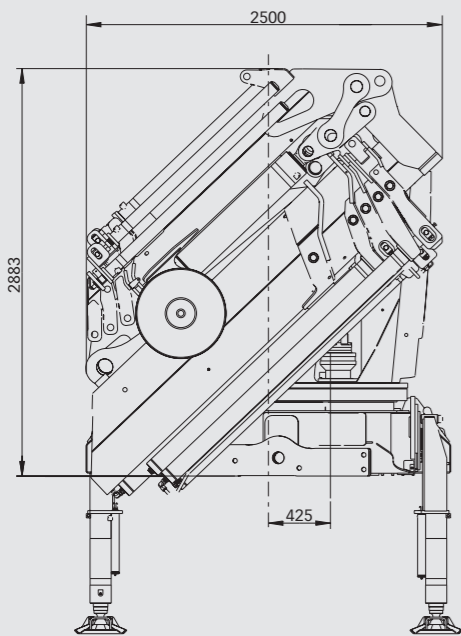
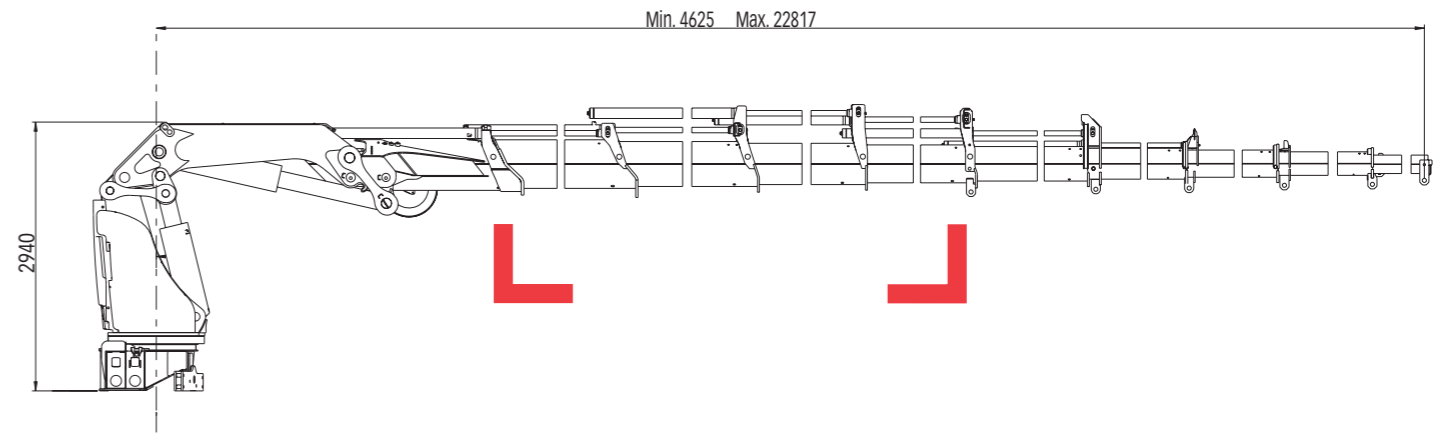
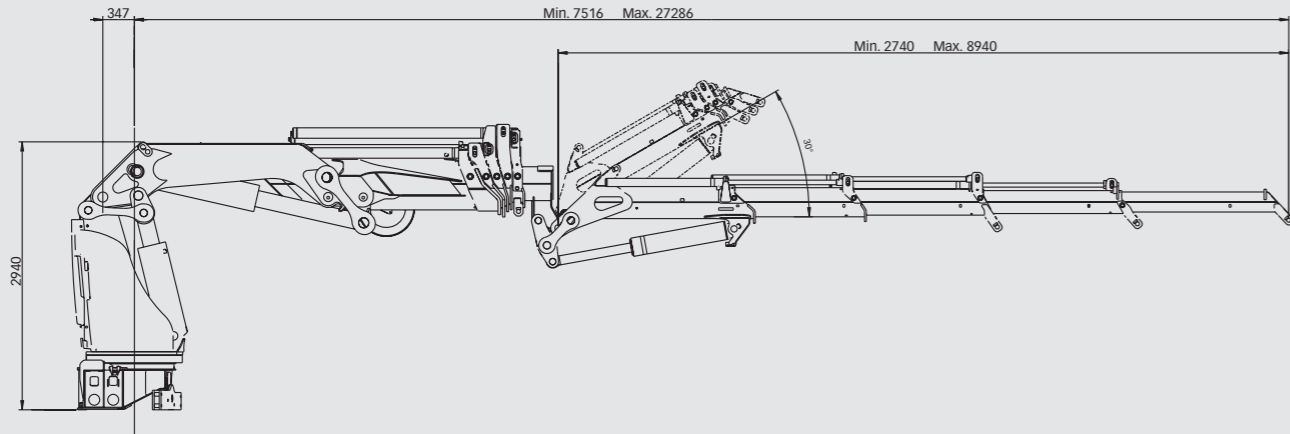


HIAB XS 600 Basic data

HIAB XS 600 Range 51-57 tm

> HIAB XS 600 E-7 jib 135X-4



Basic data

Disclaimer

Hiab cranes have been built to meet the highest standards of safety and service life and have been thoroughly tested. Strength calculations have been carried out in accordance with prEN 13001, in fatigue class S3. Hiab's certified Quality Assurance System complies with the ISO 9001. Some of the items in our literature may be extra equipment. Certain applications may require an official permit. We reserve the right to change technical specifications without prior notice. Hiab cranes produced for EU-countries are CE-marked and comply with the European Standard EN 12999.

BD-600-EN-EU/04/1012

www.hiab.com



HIAB XS 600 Basic data

Technical data

	EP-5 HiPro	E-6 HiPro	E-7 HiPro	E-9 HiPro
Max. lifting capacity (kNm)	526	517	511	500
Outreach - hydraulic extensions (m)	14.8	16.1	18.4	22.8
Outreach - manual extensions (m)	-	-	-	-
Outreach - jib (m)	-	-	27.2	-
Outreach / Lifting capacity, standard (m / kg)	3.2 / 15900	3.2 / 15900	3.1 / 15800	3.2 / 15500
	4.7 / 11400	4.3 / 12200	4.4 / 11800	4.6 / 11000
	6.3 / 8300	5.9 / 8600	6.0 / 8300	6.1 / 7900
	8.2 / 6200	7.7 / 6400	7.8 / 6100	7.9 / 5700
	10.2 / 4900	9.6 / 4900	9.7 / 4700	9.8 / 4400
	12.4 / 4000	11.6 / 4000	11.7 / 3700	11.8 / 3400
	14.7 / 3300	13.7 / 3300	13.8 / 3100	13.9 / 2800
Outreach / Lifting capacity, with jib (m / kg)	-	15.9 / 2800	16.0 / 2600	16.1 / 2300
	-	-	18.2 / 2300	18.3 / 1980
	-	-	-	20.5 / 1720
	-	-	-	22.6 / 1560
	-	-	21.1 / 1020	-
		22.3 / 940		
		23.8 / 860		
		25.8 / 780		
		27.1 / 740		
Slewing angle	360°	360°	360°	360°
Height in folded position (mm)	2555	2503	2503	2503
Width in folded position (mm)	2500	2500	2500	2500
Installation space needed (mm)	1436	1541	1541	1541
Weight - "standard" crane without stabilizers (kg)	5550	5865	6100	6470
Weight - stabilizer equipment (kg)	1120 - 1245	1120 - 1245	1120 - 1245	1120 - 1245
Weight - jib (kg)	-	-	1000	-

HIAB XS 600 E-9 HiPro

