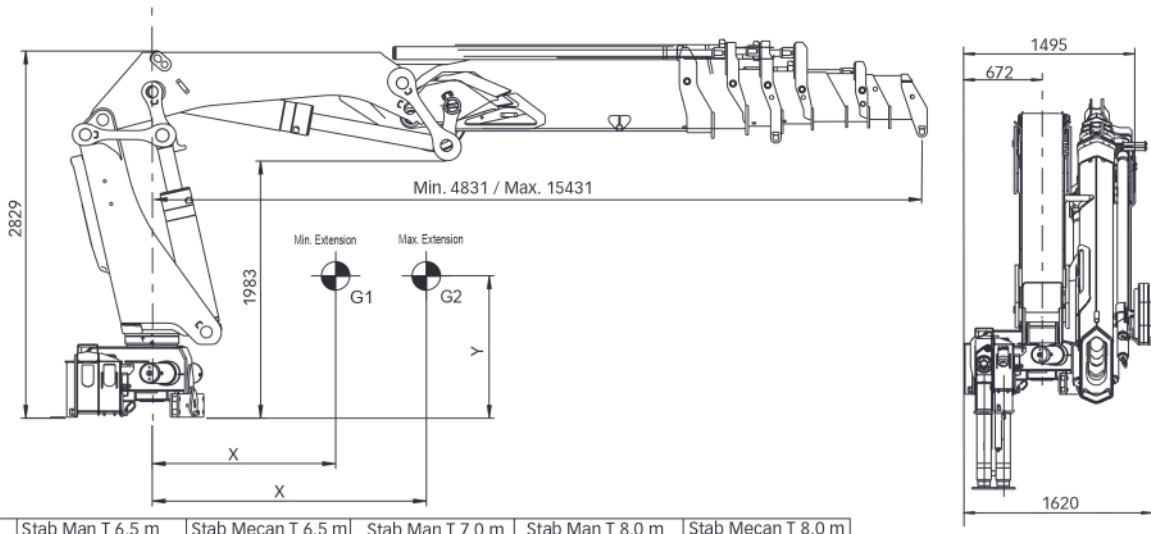
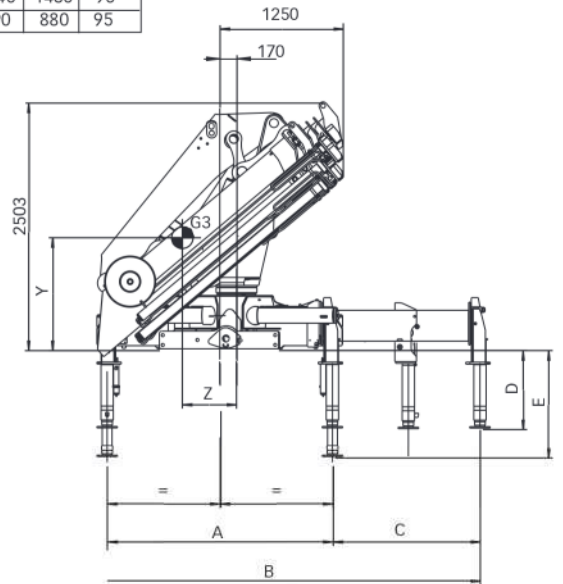
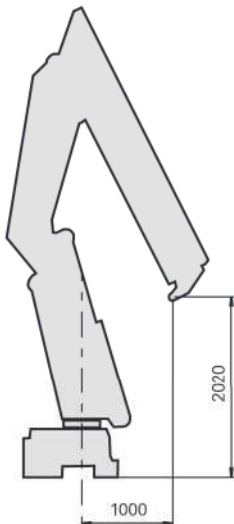


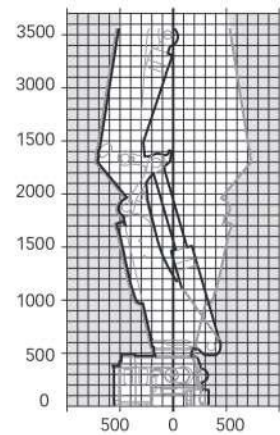
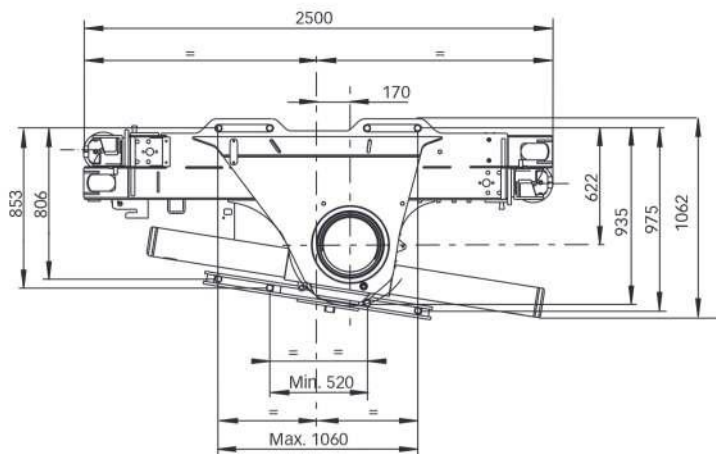
HIAB 422 EP-5



	Stab Man T 6.5 m			Stab Mecan T 6.5 m			Stab Man T 7.0 m			Stab Man T 8.0 m			Stab Mecan T 8.0 m		
	X	Y	Z	X	Y	Z	X	Y	Z	X	Y	Z	X	Y	Z
G1	1160	1530	105	1140	1520	105	1150	1530	105	1110	1500	95	1090	1480	95
G2	2460	1530	105	2430	1520	105	2440	1530	105	2370	1500	95	2340	1480	95
G3	190	910	75	190	900	70	190	910	110	190	890	60	190	880	95



	Extensions 6.5 mts			Extensions 7 mts			Extensions 8 mts			Stabilizer cylinder L= 896		Stabilizer cylinder L= 1022	
	A	B	C	A	B	C	A	B	C	D	E	D	E
Fix outrigger legs	2280	6470	2095	2340	6980	2320	2280	7980	2850	804	1407	954	1557
Giratory outrigger legs	2290	6480	2095	-	-	2320	2290	7990	2850	804	1407	954	1557





HIAB 422 EP HIDUO

TECHNICAL DATA	HIAB 422 EP-2 HIDUO	HIAB 422 EP-3 HIDUO
Lifting capacity (ADC), max.	382 kNm (39,0 tm)	375 kNm (38,3 tm)
Lifting capacity, max.	354 kNm (36,1 tm)	348 kNm (35,4 tm)
Hydraulic outreach, standard	8,4 m	11,0 m
Hydraulic boom extension	4,0 m	6,2 m
Outreach, manual extension		
Lifting height above installation level, hydr/man	11,1 m /	13,7 m /
Standard Hook Capacity	12000 kg	12000 kg
Outreach-lifting capacity (ADC), standard (1)	3,1 m - 12000 kg 4,5 m - 8700 kg 6,4 m - 6100 kg 8,4 m - 4650 kg	3,0 m - 12000 kg 4,9 m - 7800 kg 6,8 m - 5500 kg 8,8 m - 4200 kg 11,0 m - 3350 kg
Outreach-lifting capacity (ADC), manual extensions		
Outreach-lifting capacity, standard (1)	3,1 m - 11300 kg 4,5 m - 8100 kg 6,4 m - 5600 kg 8,4 m - 4300 kg	3,0 m - 11400 kg 4,9 m - 7200 kg 6,8 m - 5100 kg 8,8 m - 3850 kg 11,0 m - 3100 kg
Rec. oil flow (2)	80 - 90 l./min.	80 - 90 l./min.
Working pressure	33,0 MPa	33,0 MPa
Power needed at rec. oil flow	44 - 50 kW	44 - 50 kW
Slewing angle	400 °	400 °
Max. Slope viable at full capacity	5,0 °	4,9 °
Height in folded position	2404 mm	2503 mm
Width in folded position	2500 mm	2500 mm
Installation space needed (4)	1471 mm / 1617 mm	1471 mm / 1617 mm
Weights:		
Crane in standard version without support legs	3630 kg	3900 kg
Weight of 1 manual		
Weight of 2 manual		
Frame attachments	117 kg	117 kg
Support leg equipment 8m span (5)	780 - 870 kg	780 - 870 kg
Support leg equipment 7m span (6)	650 - 700 kg	650 - 700 kg
Support leg equipment 6.5 m span (7)	620 - 720 kg	620 - 720 kg
Tank incl. Oil	185 kg	185 kg

We reserve the right to introduce changes in design
Designed and strength calculated in accordance with EN 13001 and EN 12999

- 1) Hook on extension –2 (Standard hook 12 t)
- 2) V80R
- 4) Without / with external functions (tools)
- 5) Support legs spread 8 m. (min-max)
- 6) Support legs spread 7 m. (min-max)
- 7) Support legs spread 6.5 m. (min-max)



HIAB 422 EP HIDUO

HIAB 422 EP-4 HIDUO	HIAB 422 EP-5 HIDUO
370 kNm (37,7 tm)	365 kNm (37,2 tm)
342 kNm (34,8 tm)	337 kNm (34,3 tm)
13,2 m	15,4 m
8,4 m	10,6 m
15,9 m /	18,1 m /
12000 kg	12000 kg
3,0 m - 12000 kg	3,0 m - 12000 kg
4,9 m - 7700 kg	4,9 m - 7600 kg
6,8 m - 5400 kg	6,8 m - 5300 kg
8,8 m - 4050 kg	8,8 m - 3950 kg
11,0 m - 3200 kg	11,0 m - 3100 kg
13,2 m - 2660 kg	13,2 m - 2520 kg
	15,4 m - 2160 kg
3,0 m - 11200 kg	3,0 m - 11100 kg
4,9 m - 7100 kg	4,9 m - 7000 kg
6,8 m - 4950 kg	6,8 m - 4850 kg
8,8 m - 3700 kg	8,8 m - 3600 kg
11,0 m - 2940 kg	11,0 m - 2820 kg
13,2 m - 2440 kg	13,2 m - 2300 kg
	15,4 m - 1960 kg
80 - 90 l./min.	80 - 90 l./min.
33,0 MPa	33,0 MPa
44 - 50 kW	44 - 50 kW
400 °	400 °
4,9 °	4,9 °
2503 mm	2503 mm
2500 mm	2500 mm
1471 mm / 1617 mm	1471 mm / 1617 mm
4100 kg	4380 kg
117 kg	117 kg
780 - 870 kg	780 - 870 kg
650 - 700 kg	650 - 700 kg
620 - 720 kg	620 - 720 kg
185 kg	185 kg

We reserve the right to introduce changes in design
 Designed and strength calculated in accordance with EN 13001 and EN 12999

- 1) Hook on extension –2 (Standard hook 12 t)
- 2) V80R
- 4) Without / with external functions (tools)
- 5) Support legs spread 8 m. (min-max)
- 6) Support legs spread 7 m. (min-max)
- 7) Support legs spread 6.5 m. (min-max)